

	imagePROGRAF PRO-6100	imagePROGRAF PRO-4100	imagePROGRAF PRO-2100	imagePROGRAF PRO-6100S	imagePROGRAF PRO-4100S	imagePROGRAF GP-4000	imagePROGRAF GP-2000	imagePROGRAF GP-300	imagePROGRAF GP-200	imagePROGRAF TZ-30000	imagePROGRAF TX-4100	imagePROGRAF TX-3100	imagePROGRAF TX-2100	imagePROGRAF TM-300	imagePROGRAF TM-200	imagePROGRAF TA-30	imagePROGRAF TA-20	
Size	60"	44"	24"	60"	44"	44"	24"	36"	24"	24"	44"	36"	24"	24"	24"	36"	24"	
Ink type	LUCIA PRO pigment ink PBK, MBK, C, M, Y, PC, PM, GY, PGY, R, B, CO	LUCIA PRO pigment ink PBK, MBK, C, M, Y, PC, PM, GY, PGY, R, B, CO	LUCIA PRO pigment ink PBK, MBK, C, M, Y, PC, PM, GY, PGY, R, B, CO	LUCIA PRO pigment ink MBK, BK, PC, PM, C, M, Y, GY	LUCIA PRO pigment ink MBK, BK, PC, PM, C, M, Y, GY	Pigment inks/T1 colour MBK/ BK/C/M/Y/GY/R/O/G/V/FP	Pigment inks/T1 colour MBK/ BK/C/M/Y/FP	Pigment inks/6 colour MBK/ BK/C/M/Y/FP	Pigment inks/6 colour MBK/ BK/C/M/Y/FP	LUCIA TD pigment ink MBK/ BK/C/M/Y	LUCIA TD pigment ink MBK/ BK/C/M/Y	LUCIA TD pigment ink MBK/ BK/C/M/Y	LUCIA TD pigment ink MBK/ BK/C/M/Y	Pigment inks/5 colour MBK/ BK/C/M/Y	Pigment inks/5 colour MBK/ BK/C/M/Y	Pigment inks/5 colour MBK/ BK/C/M/Y	Pigment inks/5 colour MBK/ BK/C/M/Y	
Maximum print resolution	2400 x 1200dpi	2400 x 1200dpi	1100 x 984 x 1168mm (basket open)	2400 x 1200dpi	2400 x 1200dpi	2400 x 1200dpi	2400 x 1200dpi	2400 x 1200dpi	2400 x 1200dpi	2400 x 1200dpi	2400 x 1200dpi	2400 x 1200dpi	2400 x 1200dpi	2400 x 1200dpi	2400 x 1200dpi	2400 x 1200dpi	2400 x 1200dpi	
Dimensions (with stand) WxDxH	1999 x 984 x 1168mm (basket open)	1593 x 984 x 1168mm (basket open)	1110 x 984 x 1168mm (basket open)	1999 x 984 x 1168mm (basket open)	1593 x 984 x 1168mm (basket open)	1593 x 984 x 1168mm (basket closed)	1100 x 984 x 1168mm (basket open)	1289 x 870 x 1060mm (basket open)	982 x 870 x 1060mm (basket open)	1548 x 1293 x 1189mm (basket open)	1593 x 984 x 1168mm (basket open)	1390 x 984 x 1168mm (basket open)	1110 x 984 x 1168mm (basket open)	1289 x 887 x 1060mm (basket open)	982 x 887 x 1060mm (basket open)	1289 x 870 x 1059mm (basket open)	982 x 748 x 438mm (basket open)	
Weight (net)	171 kg	145kg (with optional roll unit)	119kg (with optional roll unit)	169kg	143kg (with optional roll unit)	145kg (with optional roll unit)	119kg (with optional roll unit)	59kg	50kg	207kg	134kg (with optional roll unit)	124kg (with optional roll unit)	107kg (with optional roll unit)	61kg	52kg	53kg	37kg (no stand)	
Power consumption during operation / sleep-mode	103W or less / 3.6W or less	112W or less / 3.6W or less	103W or less / 3.6W or less	112W or less / 3.6W or less	112W or less / 3.6W or less	99W or less / 2.0W or less	84W or less / 2.0W or less	74W or less / 2.1W or less	71W or less / 2.1W or less	157W or less / 2.2W or less	116W or less / 2.2W or less	115W or less / 2.1W or less	87W or less / 2.0W or less	69W or less / 3.6W or less	69W or less / 3.6W or less	69 W or less / 3.6W or less	59 W or less / 3.6W or less	
Noise level during operation / stand-by	Approx. 50dB (A) / 35dB (A) or less	Approx. 48dB (A) / 35dB (A) or less	Approx. 48dB (A) / 35dB (A) or less	Approx. 49dB (A) / 35dB (A) or less	Approx. 49dB (A) / 35dB (A) or less	Approx. 49dB (A) / 35dB (A) or less	Approx. 48dB (A) / 35dB (A) or less	Approx. 49dB (A) / 35dB (A) or less	Approx. 49dB (A) / 35dB (A) or less	Approx. 51dB (A) / 35dB (A) or less	Approx. 51dB (A) / 35dB (A) or less	Approx. 51dB (A) / 35dB (A) or less	Approx. 50dB (A) / 35dB (A) or less	Approx. 44dB (A) / 35dB (A) or less	Approx. 44dB (A) / 35dB (A) or less	Approx. 44dB (A) / 35dB (A) or less	Approx. 42dB (A) / 35dB (A) or less	
Standard memory	3GB	3GB	3GB	3GB	3GB	3GB	3GB	2GB	2GB	128GB (physical memory 2GB)	128GB (physical memory 2GB)	128GB (physical memory 2GB)	128GB (physical memory 2GB)	128GB (physical memory 2GB)	2GB	2GB	2GB	
Hard disk	500GB (encrypted)	500GB (encrypted)	500GB (encrypted)	500GB (encrypted)	500GB (encrypted)	500GB (encrypted)	500GB (encrypted)	500GB	500GB	500GB (encrypted)	500GB (encrypted)	500GB (encrypted)	500GB (encrypted)	No HDD	No HDD	No HDD	No HDD	
Printer languages	PDF, JPEG	PDF, JPEG	PDF, JPEG	PDF, JPEG	PDF, JPEG	PDF, JPEG	PDF, JPEG	PDF, JPEG	PDF, JPEG	HP-GL/2, HP RTL, PDF, JPEG	HP-GL/2, HP RTL, PDF, JPEG	HP-GL/2, HP RTL, PDF, JPEG	HP-GL/2, HP RTL, PDF, JPEG	HP-GL/2, HP RTL, PDF, JPEG	HP-GL/2, HP RTL, PDF, JPEG	HP-GL/2, HP RTL, PDF, JPEG	HP-GL/2, HP RTL, PDF, JPEG	
Operation panel	4.3" colour LCD touch panel	4.3" colour LCD touch panel	4.3" colour LCD touch panel	4.3" colour LCD touch panel	4.3" colour LCD touch panel	4.3" colour LCD touch panel	4.3" colour LCD touch panel	3" colour LCD touch panel	3" colour LCD touch panel	4.3" colour LCD touch panel	4.3" colour LCD touch panel	4.3" colour LCD touch panel	4.3" colour LCD touch panel	3" colour LCD touch panel	3" colour LCD touch panel	3" colour LCD touch panel	3" colour LCD touch panel	
Interface	USB for printer cable, USB for USB memory, Gigabit Ethernet, WiFi	USB for printer cable, USB for USB memory, Gigabit Ethernet, WiFi	USB for printer cable, USB for USB memory, Gigabit Ethernet, WiFi	USB for printer cable, USB for USB memory, Gigabit Ethernet, WiFi	USB for printer cable, USB for USB memory, Gigabit Ethernet, WiFi	USB for printer cable, USB for USB memory, Gigabit Ethernet, WiFi	USB for printer cable, USB for USB memory, Gigabit Ethernet, WiFi	USB for printer cable, USB for USB memory, Gigabit Ethernet, WiFi	USB for printer cable, USB for USB memory, Gigabit Ethernet, WiFi	USB for printer cable, USB for USB memory, Gigabit Ethernet, WiFi	USB for printer cable, USB for USB memory, Gigabit Ethernet, WiFi	USB for printer cable, USB for USB memory, Gigabit Ethernet, WiFi	USB for printer cable, USB for USB memory, Gigabit Ethernet, WiFi	USB for printer cable, USB for USB memory, Gigabit Ethernet, WiFi	USB for printer cable, USB for USB memory, Gigabit Ethernet, WiFi	USB for printer cable, USB for USB memory, Gigabit Ethernet, WiFi	USB for printer cable, USB for USB memory, Gigabit Ethernet, WiFi	USB for printer cable, USB for USB memory, Gigabit Ethernet, WiFi
Print head	12-colour integrated x 1 print head	12-colour integrated x 1 print head	12-colour integrated x 1 print head	11-colour integrated x 1 print head	11-colour integrated x 1 print head	11-colour integrated x 1 print head	11-colour integrated x 1 print head	6-colour integrated x 1 print head	6-colour integrated x 1 print head	5-colour integrated x 1 print head	5-colour integrated x 1 print head	5-colour integrated x 1 print head	5-colour integrated x 1 print head	5-colour integrated x 1 print head	5-colour integrated x 1 print head	5-colour integrated x 1 print head	5-colour integrated x 1 print head	
Head configuration	1,536 nozzles per colour	1,536 nozzles per colour	1,536 nozzles per colour	3,072 nozzles for MBK, C, M, Y	3,072 nozzles for MBK, C, M, Y	3,072 nozzles for MBK	3,072 nozzles for MBK	2,560 nozzles per colour	2,560 nozzles per colour	5,120 nozzles for MBK	5,120 nozzles for MBK	5,120 nozzles for MBK	5,120 nozzles for MBK	5,120 nozzles for MBK	5,120 nozzles for MBK	5,120 nozzles for MBK	5,120 nozzles for MBK	
Nozzle per chip	1,536 nozzles for others	1,536 nozzles for others	1,536 nozzles for others	1,536 nozzles for others	1,536 nozzles for others	1,536 nozzles for others	1,536 nozzles for others	2,560 nozzles per colour	2,560 nozzles per colour	2,560 nozzles for others	2,560 nozzles for others	2,560 nozzles for others	2,560 nozzles for others	2,560 nozzles for others	2,560 nozzles for others	2,560 nozzles for others	2,560 nozzles for others	
Ink tank Capacity	Sales ink: 160ml/330ml/700ml Starter use: 330ml	Sales ink: 160ml/330ml/700ml Starter use: 330ml	Sales ink: 160ml/330ml/700ml Starter use: 160ml	Sales ink: 160ml/330ml/700ml Bundled Starter ink: 330ml	Sales ink: 160ml/330ml/700ml Bundled Starter ink: 330ml	Sales ink: 160ml/330ml/700ml Bundled Starter ink: 330ml	Sales ink: 160ml/330ml/700ml Bundled Starter ink: 330ml	Sales ink: 130ml/300ml Starter use: 90ml	Sales ink: 130ml/300ml Starter use: 90ml	Sales ink: 330ml/700ml Starter use: 330ml (MBK)/160ml (BK,C,M,Y)	Sales ink: 130ml/300ml Starter use: 330ml (MBK)/160ml (BK,C,M,Y)	Sales ink: 130ml/300ml Starter use: 330ml (MBK)/160ml (BK,C,M,Y)	Sales ink: 160ml/330ml/700ml Starter use: 330ml (MBK)/160ml (BK,C,M,Y)	Sales ink: 130ml/300ml Starter use: 130ml (MBK)/ 90ml (BK,C,M,Y)	Sales ink: 130ml/300ml Starter use: 130ml (MBK)/ 90ml (BK,C,M,Y)	Sales ink: 55ml (2 x MBK, 1 x BK,C,M,Y)	Sales ink: 130ml/300ml Starter use: 55ml (2 x MBK, 1 x BK,C,M,Y)	
Media feed	Sheets or 2 rolls (second roll standard)	Sheets or 2 rolls (second roll is optional)	Sheets or 2 rolls (second roll is optional)	Sheets or 2 rolls (second roll standard)	Sheets or 2 rolls (second roll is optional)	Sheets or 2 rolls (second roll is optional)	Sheets or 2 rolls (second roll is optional)	Sheet or 1 roll	Sheet or 1 roll	Sheet or 2 rolls	Sheet or 2 rolls (second roll is optional)	Sheet or 2 rolls (second roll is optional)	Sheet or 1 roll	Sheet or 1 roll	Sheet or 1 roll	Sheet or 1 roll	Sheet or 1 roll	
Media sizes	Roll (width) 152.4 - 1524mm	Roll (width) 152.4 - 1118mm	Roll (width) 152.4 - 610mm	Cut sheets 152.4 - 1524mm	Cut sheets 152.4 - 1118mm	Cut sheets 152.4 - 1118mm	Cut sheets 152.4 - 1118mm	Media thickness 0.07 - 0.8mm	Media thickness 0.07 - 0.8mm	Media thickness 0.07 - 0.8mm	Media thickness 0.07 - 0.8mm	Media thickness 0.07 - 0.8mm	Media thickness 0.07 - 0.8mm	Media thickness 0.07 - 0.8mm	Media thickness 0.07 - 0.8mm	Media thickness 0.07 - 0.8mm	Media thickness 0.07 - 0.8mm	
Maximum roll diameter	170mm	170mm	170mm	170mm	170mm	170mm	170mm	150mm	150mm	175mm	170mm	170mm	170mm	150mm	150mm	150mm	150mm	
Borderless printing with roll media	Any media width	Any media width	Any media width	Any media width	Any media width	Any media width	Any media width	Any media width	Any media width	Any media width	Any media width	Any media width	Any media width	Applicable for 22 major media width	Applicable for 17 major media width	Any media width	Any media width	
Options	2/3" Roll Holder: RH2-66 Roll Unit: RU-63	2/3" Roll Holder: RH2-46 Roll Unit: RU-43	Printer Stand: SD-21 2/3" Roll Holder: RH2-29 Roll unit: RU-23	2/3" Roll Holder: RH2-66 Roll Unit: RU-63	2/3" Roll Holder: RH2-46 Roll Unit: RU-43	2/3" Roll Holder: RH2-46 Roll Unit: RU-43	Printer Stand: SD-21 2/3" Roll Holder: RH2-29 Roll Unit: RU-23	2/3" Roll Holder: RH2-35	2/3" Roll Holder: RH2-28 Printer stand: SD-24	2/3" Roll Holder: RH2-34 uniFLOW adaptor: RA-01	2/3" Roll Holder: RH2-46 Roll unit: RU-42 Stackers: SS-41 uniFLOW adaptor: RA-01	2/3" Roll Holder: RH2-34 Roll unit: RU-32 Stackers: SS-31 uniFLOW adaptor: RA-01	Stand: SD-21 2/3" Roll Holder: RH2-29 Roll unit: RU-22 Stackers: SS-21 uniFLOW adaptor: RA-01	2/3" Roll Holder: RH2-35	Stand: SD-23 2/3" Roll Holder: RH2-28	2/3" Roll Holder: RH2-35	2/3" Roll Holder: RH2-28	
Consumables	Ink tank: PFI-1100/1300/1700 Print head: PF-10 Cutter blade: CT-07 Maintenance cartridge: MC-30	Ink tank: PFI-1100/1300/1700 Print head: PF-10 Cutter blade: CT-07 Maintenance cartridge: MC-30	Ink tank: PFI-1100/1300/1700 Print head: PF-10 Cutter blade: CT-07 Maintenance cartridge: MC-30	Ink tank: PFI-1100/1300/1700 Print head: PF-10 Cutter blade: CT-07 Maintenance cartridge: MC-30	Ink tank: PFI-1100/1300/1700 Print head: PF-10 Cutter blade: CT-07 Maintenance cartridge: MC-30	Ink tank: PFI-2100/2300/2700 Print head: PF-10 Cutter blade: CT-07 Maintenance cartridge: MC-30	Ink tank: PFI-120/320 Print head: PF-06 Cutter blade: CT-08 Maintenance cartridge: MC-31	Ink tank: PFI-120/320 Print head: PF-06 Cutter blade: CT-08 Maintenance cartridge: MC-30	Ink tank: PFI-120/320 Print head: PF-06 Cutter blade: CT-07 Maintenance cartridge: MC-30	Ink tank: PFI-120/320 Print head: PF-06 Cutter blade: CT-07 Maintenance cartridge: MC-30	Ink tank: PFI-340/740 Print head: PF-06 Cutter blade: CT-07 Maintenance cartridge: MC-30	Ink tank: PFI-110/310/710 Print head: PF-06 Cutter blade: CT-07 Maintenance cartridge: MC-30	Ink tank: PFI-110/310/710 Print head: PF-06 Cutter blade: CT-07 Maintenance cartridge: MC-30	Ink tank: PFI-120/320 Print head: PF-06 Cutter blade: CT-08 Maintenance cartridge: MC-31	Ink tank: PFI-120/320 Print head: PF-06 Cutter blade: CT-08 Maintenance cartridge: MC-31	Ink tank: PFI-120/320 Print head: PF-06 Cutter blade: CT-08 Maintenance cartridge: MC-31	Ink tank: PFI-030 Print head: PF-06 Cutter blade: CT-08 Maintenance cartridge: MC-31	Ink tank: PFI-030 Print head: PF-06 Cutter blade: CT-08 Maintenance cartridge: MC-31



LARGE FORMAT & MULTIFUNCTIONAL PRINTERS

AN EXTENSIVE RANGE OF PROFESSIONAL SYSTEMS DESIGNED FOR EXCEPTIONAL QUALITY AND PRODUCTIVITY

and enjoy endless possibilities with the new imagePROGRAF PRO Series.



DREAM BIGGER
and enjoy endless possibilities with the new imagePROGRAF PRO Series.



PRINT WITH EASE

Explore our full range of Large Format Printers, delivering the latest technology to benefit your business. Engineered with enhanced features to improve your productivity, quality, security and ease of use, our latest systems are ideal for making sophisticated print applications accessible to everyone.



imagePROGRAF TZ-30000

Multi-application printing

Our updated line-up of 5-colour ink models, the imagePROGRAF TX series, is ideal for numerous applications – precise CAD drawings and GIS, vibrant posters, eye-catching POS displays and more. Smart Roll Loading automatically detects different media types and dual roll feeding means less downtime and more application versatility.

Fast and efficient production

Introducing the imagePROGRAF TZ-30000, offering the fastest printing speeds of any imagePROGRAF model to date. Its design incorporates a top delivery mechanism for improved security and information management, more efficient workflow and a reduced footprint, while processes are simplified for error-free operation for every member of staff.

Harmonious printing with genuine Canon inks

Using genuine Canon inks will ensure your Canon Large Format Printer will perform at its best. Thanks to our strict quality control methods and chemistries developed to work in harmony with the whole system, every model in our range offers assured levels of quality, reliability and value.

Precise CAD and GIS

Produce the high levels of precision you need on CAD and GIS applications. Featuring excellent image reproduction and line accuracy, delivered quickly and efficiently which could improve your business's productivity.

Reliable, dependable quality

You can expect the highest levels of printing quality from our complete range of Large Format Printers. Accurate colours, precise reproduction and image consistency – your new imagePROGRAF will deliver day after day.

Versatile inks for multiple applications

Expect incredible image quality from our production and photo printers with 12 or 8 LUCIA PRO pigment inks. Vivid colours, precise lines, proven light and weather resistance and a wide colour gamut produce outstanding results, improved even further with the clear ink Chroma Optimiser. Our LUCIA TD inks maximise the performance of CAD and GIS printers, delivering bold colours, sharp text and superior weather resistance even on uncoated plain paper.

Produce just-in-time work

Bring printing work in-house for time-sensitive and fast-response posters, displays and POS material that is both economical and eye-catching. Software can help anyone become a poster artist, while borderless printing means spending less time cutting images to size.

Control to promote your business

Improve communication in your workplace or create attention-grabbing event messaging with easy-to-use software and an intuitive interface. Our latest Large Format Printers are compatible with a range of creative media, including water-resistant materials to power your imagination.

Exceptional quality fine art and photography

Reproduce works of fine art and photography ready for the gallery wall. Create balanced, rich and accurate output simply on a wide selection of professional media.

imagePROGRAF TZ-30000 MFP Z36

Rapid printing with excellent quality for CAD, GIS and other precision-reliant applications

- Exceptional speed: first print in 21 seconds and 4ppm or 241pph A1 CAD for continuous printing
- Compact 4.3" colour LCD touch operation panel
- 700 ml high-capacity ink tanks
- Hot-swap ink and roll replacement for non-stop printing
- Enhanced security features, including password protection, secure storage, file erasure and data transmission
- Vibrant, precise prints through LUCIA TD pigment ink
- Prints are durable outdoors for up to six months unlaminated
- Top delivery tray for fully front-accessible operation
- Automated processes and low-maintenance engineering minimise user intervention
- Dual roll loading
- Productivity: simultaneous printing and scanning, and copying
- High-speed scanning and copying

TZ-30000 MFP Z36

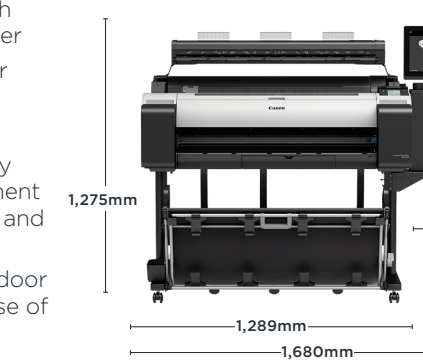


imagePROGRAF TM-305 MFP Z36

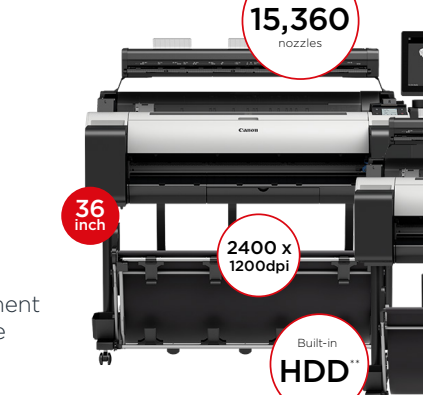
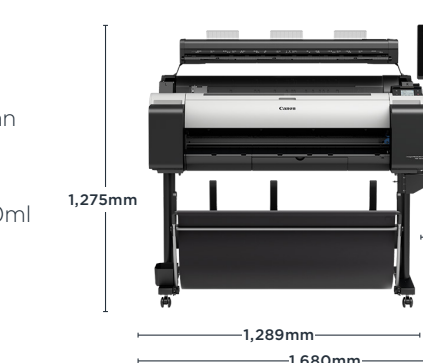
36 inch large format MFPs for CAD, GIS and Poster printing production*

- 5 colour LUCIA TD Pigment Ink System (Black, Matte Black, Cyan, Magenta, Yellow)
- Standard memory 128GB with 2GB Physical memory for the TM-305 MFP Z36
- 15.6 inch flat panel, touch screen display for scanner
- 6 inch per second colour scanning
- Single roll capability
- SingleSensor Technology delivers accurate document scanning with crisp text and sharp lines
- Ideal for indoor and outdoor applications including use of Water Resistant media
- Scanner controls: STOP, Advance/Rewind, LED status
- Maximum scan length 8m (JPEG/PDF) and 15.2m (TIFF)
- Maximum document thickness 0.5mm for scan
- SmartWorks MFP V6 software included
- Bundled starter inks: 130ml (Matte Black) and 90ml (Black, Cyan, Magenta, Yellow)
- 130/300ml ink tanks (available)

TM-305 MFP Z36



TM-300 MFP Z36



TM-300 MFP L36ei



TM-200 MFP L24ei

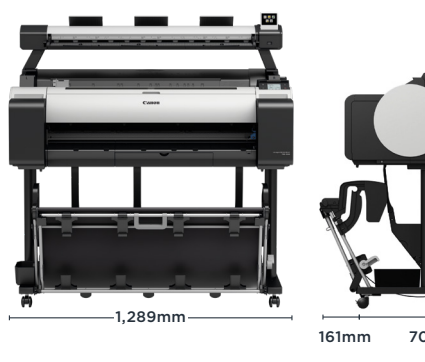


imagePROGRAF TX-4100 MFP Z36

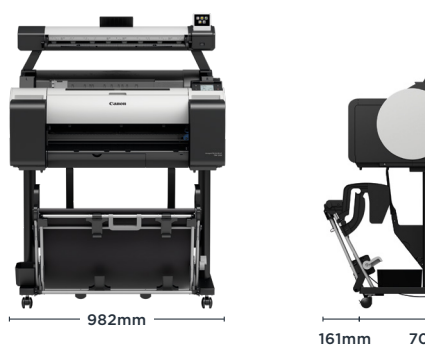
Canon TX series MFP with Z36 scanning solution

- Intuitive execution of printing and scanning tasks using the 15.6 inch large touch screen and new SmartWorks software
- Available in two versions: as an all-in-one (AIO) version with integrated Windows PC or as a version that can be controlled via an external PC (PC required)
- Vibrant colours from LUCIA TD pigment ink
- Superb scanning quality thanks to Colortrac SingleSensor* technology that enables consistently high performance
- Scan accuracy: ± 0.1%, ± 1 pixel
- Scan speed at 200dpi: 24 bit colour: 152mm/sec, 8 bit grayscale and monochrome: 330mm/sec
- Optical resolution: 1200dpi
- Scan modes: RGB (24 bit), indexed RGB palette (8 bit), 256 grayscale (8 bit), monochrome printing (1 bit)
- Max. width: 914mm (subject width: 965mm), max. scan length: 15.2m (TIFF), max. document thickness: 0.5mm
- Standard interface scanner: SuperSpeed USB 3.0
- Scanner software: SmartWorks MFP V6
- Continuous printing speed 3.2ppm
- Productivity: simultaneous printing and scanning, hot-swap ink tanks

TX-4100 MFP Z36



TX-3100 MFP Z36

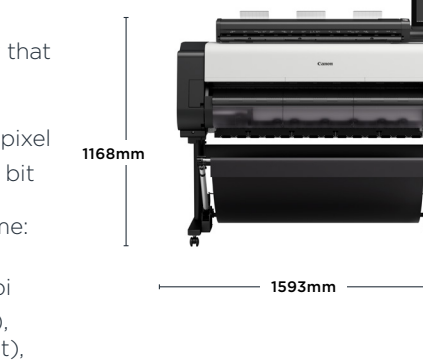


imagePROGRAF PRO-6100 / PRO-4100

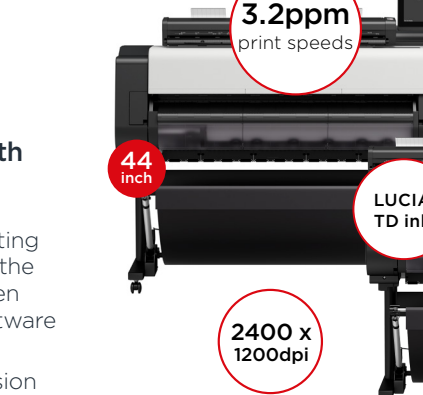
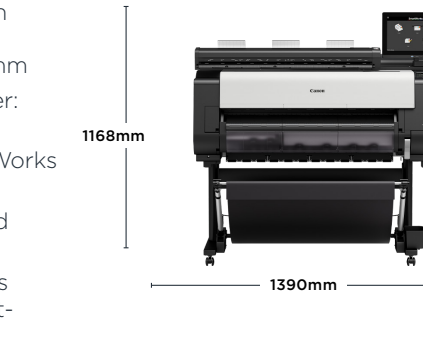
Three 12-colour and two 8-colour printers in 24 inch, 44 inch and 60 inch size variations, developed for graphics art applications including photo art, graphics and poster printing

- Vibrant LUCIA PRO pigment ink: superior photo quality with CO ink (12-colour models); 4-colour mirrored configuration for excellent print quality and high productivity (8-colour models)
- Clear coat CO ink for deep black and vivid colour with a sense of transparency when printing on glossy or semi-glossy paper (12-colour only)
- Compact design, with 12-colour integrated single compact print head (12-colour models)
- Productivity: automatic roll loading, media type detection and feeding of thick and stiff paper
- Multifunction Roll System – either roll feeding or take-up can be supported by a single printer
- Hot swap ink tanks
- Borderless printing in any roll width
- 3GB standard memory
- User-friendly, 4.3 inch touchscreen display for agile operations
- Bundled starter ink: 330ml (160ml for PRO-2100)
- High-capacity ink tanks in 700/330/160ml for all colours (available)

PRO-6100



PRO-4100



PRO-2100



PRO-2000



imagePROGRAF GP-4000

44 inch and 24 inch 11-colour large format printers for vibrant graphics

- Designed for high-quality poster printing
- An 11-colour version for PSPs and design agencies
- Incredibly vibrant LUCIA PRO Pigment Ink System including Fluorescent Pink
- Large colour gamut with Red, Orange, Green, Violet and FP inks for punchy printouts for graphics/posters
- PANTONE-calibrated colours
- Bundled with PosterArtist software and image library access to simplify poster creation
- Lightweight and compact design with full front usability for easy operation
- Excellent image resolution of 2400 x 1200dpi
- Dual roll loading
- Automated processes and low-maintenance engineering minimise user intervention
- Increased productivity from hot swap ink tanks
- Ideal for indoor and outdoor applications including use of Water Resistant media
- Bundled starter ink for GP-4000: 330ml, GP-2000: 160ml (all 11 colours)
- GP-4000 and GP-2000: 160/330/700ml ink tanks (available)

GP-4000



GP-2000

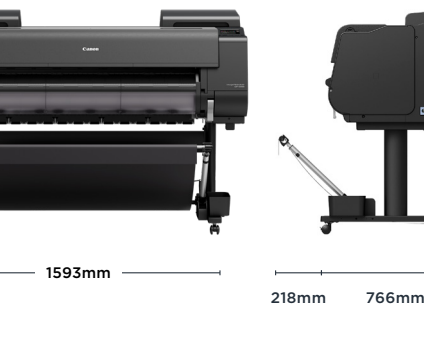


imagePROGRAF GP-300

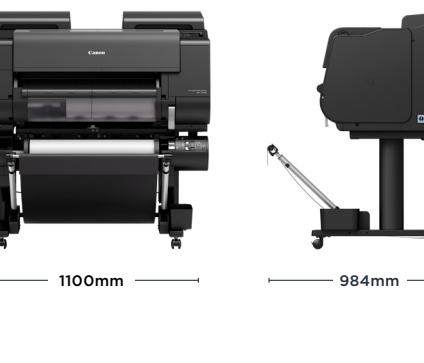
36 inch and 24 inch large format printers with an extended colour gamut, for bold posters

- Designed for high-quality poster printing
- A 6-colour version for bringing printing in house.
- Incredibly vibrant LUCIA TD Pigment Ink System including Fluorescent Pink
- PANTONE-calibrated colours
- Bundled with PosterArtist software and image library access to simplify poster creation
- Excellent image resolution of 2400 x 1200dpi
- Automated processes and low-maintenance engineering minimise user intervention
- Increased productivity from hot swap ink tanks
- Ideal for indoor and outdoor applications including use of Water Resistant media
- Bundled starter ink for GP-300 and GP-200: 90ml (all 6 colours)
- GP-300 and GP-200: 130/300ml ink tanks (available)

GP-300



GP-200

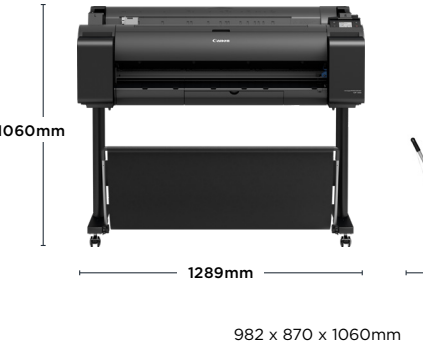


imagePROGRAF GP-300

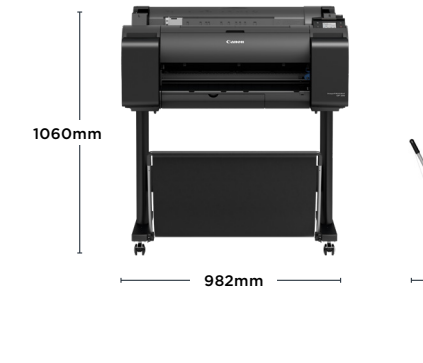
36 inch and 24 inch large format printers with an extended colour gamut, for bold posters

- Designed for high-quality poster printing
- A 6-colour version for bringing printing in house.
- Incredibly vibrant LUCIA TD Pigment Ink System including Fluorescent Pink
- PANTONE-calibrated colours
- Bundled with PosterArtist software and image library access to simplify poster creation
- Excellent image resolution of 2400 x 1200dpi
- Automated processes and low-maintenance engineering minimise user intervention
- Increased productivity from hot swap ink tanks
- Ideal for indoor and outdoor applications including use of Water Resistant media
- Bundled starter ink for GP-300 and GP-200: 90ml (all 6 colours)
- GP-300 and GP-200: 130/300ml ink tanks (available)

GP-300



GP-200



*Built-in HDD only for TM-305.

*Scanners are manufactured by Global Scanning.